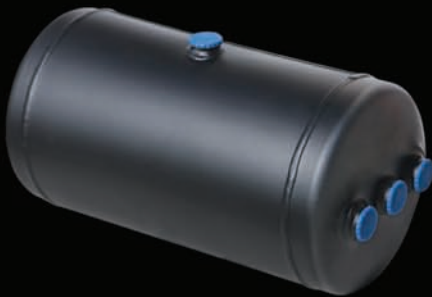


# TRIDENT

## HYDRAULICS

HYDRAULIC MOTORS and PUMPS  
GEAR PUMP, PTO and ADAPTERS  
TRAILER AIR and OIL TANK



**hpt**  
HYDRAULIC POWER **TECHNIQUE**

FOR THE PLANT AND COMMERCIAL VEHICLE MARKET



## HPT - High Pressure Iron Cast Pump F-SERIES

- Special Pump Series for Tipper Trucks
- High Efficiency
- Low Noise
- For use DIN mount PTO
- 5 Pistons
- Nickel Cover
- Seals and Colour Options

Spline Shaft : DIN 5462 / ISO 14  
Mounting Flange : ISO 7653 - D

### HPTF - TRUCK MOUNTED FLANGE VERSION PISTON PUMP SERIES FROM 12 LITRE TO 130 LITRE

Pump Code	Displacement	Maximum Continuous Pressure	Maximum Peak Pressure	Continuous Rotating Speed	Maximum Rotating Speed	Overhang Torque	Working Temperature Min/Max	Weight
HPTF - DIN	@1000 RPM	BAR	BAR	RPM	RPM	Nm	°C	KG
HPTF - 080	80	250	300	1500	2000	21	-35/+90	12
HPTF - 090	90,4	250	300	1500	2000	21	-35/+90	12
HPTF - 130	130,3	250	300	1500	2000	24	-35/+90	17



## HPT - High Pressure Aluminium Cast Pump L-SERIES

- From 40 to 64 cc Options
- High Pressure
- High Efficiency
- Long Life
- Low Working Noise
- For Use DIN mount PTO
- Light Weight
- Seal Options

Spline Shaft : DIN 5462 / ISO 14  
Mounting Flange : ISO 7653 - D

### HPTL - TRUCK MOUNTED FLANGE VERSION PISTON PUMP SERIES FROM 12 LITRE TO 130 LITRE

Pump Code	Displacement	Maximum Continuous Pressure	Maximum Peak Pressure	Continuous Rotating Speed	Maximum Rotating Speed	Overhang Torque	Working Temperature Min/Max	Weight
HPTL - DIN	@1000 RPM	BAR	BAR	RPM	RPM	Nm	°C	KG
HPTL - 040	40,8	300	400	1900	2500	13	-35/+90	11,2
HPTL - 047	47,2	300	400	1900	2500	13	-35/+90	11,2
HPTL - 056	55,8	300	400	1900	2500	13	-35/+90	11,2
HPTL - 064	63,4	300	400	1900	2500	13	-35/+90	11,2

# HPT - High Pressure Iron Cast Pump



## P-SERIES

- From 12 to 130 cc Options
- High Pressure
- High Efficiency
- Long Life
- Low Working Noise
- For Use DIN mount PTO
- Nickel Cover
- Seal and Colour Options

Spline Shaft : DIN 5462 / ISO 14  
 Mounting Flange : ISO 7653 - D

### HPTP - TRUCK MOUNTED FLANGE VERSION PISTON PUMP SERIES FROM 12 LITRE TO 130 LITRE

Pump Code	Displacement	Maximum Continuous Pressure	Maximum Peak Pressure	Continuous Rotating Speed	Maximum Rotating Speed	Overhang Torque	Working Temperature Min/Max	Weight
HPTF - DIN	@1000 RPM	BAR	BAR	RPM	RPM	Nm	°C	KG
HPTP - 012	12,4	300	400	2300	3000	6,9	-35/+90	8
HPTP - 017	17,1	300	400	2300	3000	6,9	-35/+90	8
HPTP - 025	25,2	300	400	2300	3000	7,4	-35/+90	9
HPTP - 034	34,0	300	400	2300	3000	7,4	-35/+90	9
HPTP - 040	40,8	300	400	1900	2500	13	-35/+90	13
HPTP - 047	47,2	300	400	1900	2500	13	-35/+90	13
HPTP - 056	55,8	300	400	1900	2500	13	-35/+90	13
HPTP - 064	63,4	300	400	1900	2500	13	-35/+90	13
HPTP - 084	83,5	300	400	1500	2000	21	-35/+90	17
HPTP - 090	90,4	300	400	1500	2000	21	-35/+90	17
HPTP - 108	108,1	300	400	1500	2000	21	-35/+90	17
HPTP - 130	130,3	300	400	1500	2000	24	-35/+90	19



# HPT - High Pressure Iron Cast Pump

## D-SERIES Dual Flow



- 53+53 and 56+26 cc Options
- High Pressure
- High Efficiency
- Long Life
- Low Working Noise
- For Use DIN mount PTO
- Nickel Cover
- Seal and Colour Options
- Parallel Working Operation

Spline Shaft : DIN 5462 / ISO 14  
 Mounting Flange : ISO 7653 - D

### HPTP - TRUCK MOUNTED FLANGE VERSION PISTON PUMP SERIES FROM 12 LITRE TO 130 LITRE

Pump Code	Displacement	Maximum Continuous Pressure	Maximum Peak Pressure	Continuous Rotating Speed	Maximum Rotating Speed	Overhang Torque	Working Temperature Min/Max	Weight
HPTF - DIN	@1000 RPM	BAR	BAR	RPM	RPM	Nm	°C	KG
HPTD - 53+53	53+53	300	400	1900	2500	21	-35/+90	18
HPTD - 56+26	56+26	300	400	1900	2500	21	-35/+90	18

# HPT ISO and SAE FLANGE PISTON PUMP



- From 10 to 130 cc
- High Speed
- High Efficiency
- Seal and Colour Options
- Low Noise
- Nickel Cover
- Long Life

### HPTP - TRUCK MOUNTED FLANGE VERSION PISTON PUMP SERIES FROM 12 LITRE TO 130 LITRE

Pump Code	Displacement	Maximum Continuous Pressure	Maximum Peak Pressure	Continuous Rotating Speed	Maximum Rotating Speed	Max. Power	Working Temperature Min/Max	Weight
HPTP - ISO	@1000 RPM	BAR	BAR	RPM	RPM	Kw	°C	KG
HPTP - 010	9,7	300	400	3300	6000	20	-35/+90	7,6
HPTP - 012	12,4	300	400	3300	6000	25	-35/+90	7,6
HPTP - 017	16,9	300	400	3200	5700	35	-35/+90	7,6
HPTP - 025	25,2	300	400	2500	4700	40	-35/+90	8,6
HPTP - 034	34,0	300	400	2200	4500	50	-35/+90	8,6
HPTP - 040	40,8	300	400	2200	4300	55	-35/+90	15,4
HPTP - 047	47,0	300	400	2200	4300	65	-35/+90	15,4
HPTP - 056	55,8	300	400	2100	3700	75	-35/+90	15,4
HPTP - 064	63,4	300	400	2000	3700	85	-35/+90	15,4
HPTP - 084	83,5	300	400	1700	3300	90	-35/+90	26,9
HPTP - 090	90,4	300	400	1700	2900	95	-35/+90	26,9
HPTP - 108	107,8	300	400	1700	2900	120	-35/+90	29,6
HPTP - 130	130,0	300	400	1600	2900	120	-35/+90	29,6

# HPT HYDRAULIC PISTON MOTOR SERIES FROM 10cc to 130cc

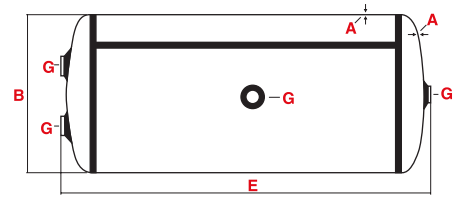


- Innovative Parts
- Wide Range
- High Speed
- High Pressure
- High Efficiency
- Low Noise
- Seal and Colour Options
- Long Life
- Nickel Cover

## HPTM - ISO FLANGE VERSION PISTON MOTOR SERIES FROM 12 LITRE TO 130 LITRE

Motor Code	Displ.	Maximum Cont. Pressure	Maximum Peak Pressure	Maximum Intern. Revolutions	Maximum Cont. Power"	Maximum Intern. Power	Starting Torque Theoretical Value	Working Temp. Min/Max	Weight
HPTM - ISO-SAE	1000 RPM	BAR	BAR	RPM	kW	kW	N.m/BAR	°C	KG
HPTM - 010	10,2	300	400	8800	18	45	0,18	-35/+90	8,8
HPTM - 012	12,4	300	400	8800	20	54	0,2	-35/+90	8,8
HPTM - 017	17,1	300	400	8800	25	74	0,27	-35/+90	8,8
HPTM - 025	25,2	300	400	7000	40	86	0,4	-35/+90	9,6
HPTM - 034	34,0	300	400	7000	55	115	0,54	-35/+90	9,6
HPTM - 040	40,8	300	400	6300	60	125	0,66	-35/+90	16,7
HPTM - 047	47,2	300	400	6300	65	145	0,75	-35/+90	16,7
HPTM - 056	55,8	300	400	6300	80	175	0,9	-35/+90	16,7
HPTM - 064	63,4	300	400	6300	90	195	1,1	-35/+90	16,7
HPTM - 084	83,5	300	400	5200	100	215	1,34	-35/+90	28,2
HPTM - 090	90,4	300	400	5200	110	230	1,58	-35/+90	28,2
HPTM - 108	108,1	300	400	5200	130	275	1,72	-35/+90	30,6
HPTM - 130	130,3	300	350	5200	135	285	2,04	-35/+90	30,6

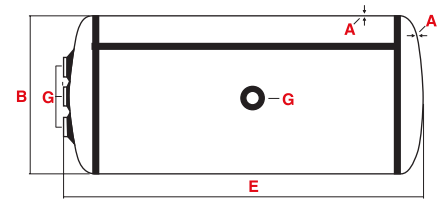
### TRAILER AIR TANK



DRAWING NO: BG/2.1.1

CODE	LITRE	B	E	G	A
BEGA05	5 LT	155	280	22x1,5	2,5mm
BEGA110	10 LT	205	350	22x1,5	2,5mm
BEGA115	15 LT	205	520	22x1,5	2,5mm
BEGA120	20 LT	205	660	22x1,5	2,5mm
BEGA130	30 LT	255	650	22x1,5	2,5mm
BEGA135	35 LT	255	800	22x1,5	2,5mm
BEGA140	40 LT	255	850	22x1,5	2,5mm
BEGA240	40 LT	285	735	22x1,5	2,5mm
BEGA145	45 LT	320	595	22x1,5	2,5mm
BEGA160	60 LT	285	1000	22x1,5	2,5mm
BEGA260	60 LT	385	550	22x1,5	2,5mm
BEGA360	60 LT	320	800	22x1,5	2,5mm
BEGA180	80 LT	385	740	22x1,5	2,5mm
BEGA280	80 LT	320	1050	22x1,5	2,5mm

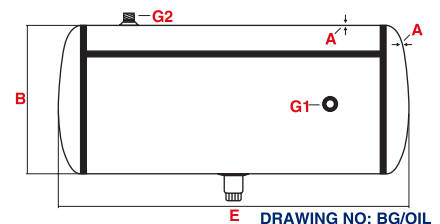
### AIR TANK



DRAWING NO: BG/3.1.0

OEM NO	CODE	LITRE	B	E	G	A
54323201	BEGA407	7,5 LT	246	227	22x1,5	2,5mm
54323301	BEGA210	10 LT	206	367	22x1,5	2,5mm
54324101	BEGA310	10 LT	246	260	22x1,5	2,5mm
54322401	BEGA415	15 LT	276	326	22x1,5	2,5mm
54323401	BEGA420	20 LT	246	496	22x1,5	2,5mm
54322101	BEGA520	20 LT	276	411	22x1,5	2,5mm
-	BEGA220	20 LT	206	680	22x1,5	2,5mm
54323801	BEGA225	25 LT	246	604	22x1,5	2,5mm
54322601	BEGA425	25 LT	276	495	22x1,5	2,5mm
54324301	BEGA325	25 LT	206	827	22x1,5	2,5mm
54322201	BEGA230	30 LT	276	585	22x1,5	2,5mm
54322301	BEGA430	30 LT	246	715	22x1,5	2,5mm
54322701	BEGA435	35 LT	276	663	22x1,5	2,5mm
54322501	BEGA440	40 LT	276	757	22x1,5	2,5mm
54322901	BEGA340	40 LT	246	932	22x1,5	2,5mm
54322801	BEGA445	45 LT	276	843	22x1,5	2,5mm

### TRAILER OIL TANK

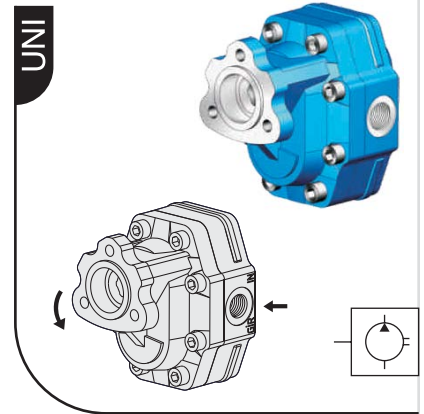
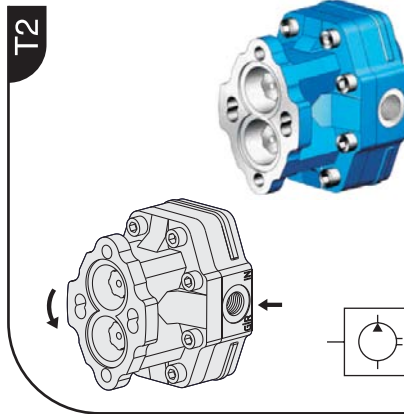
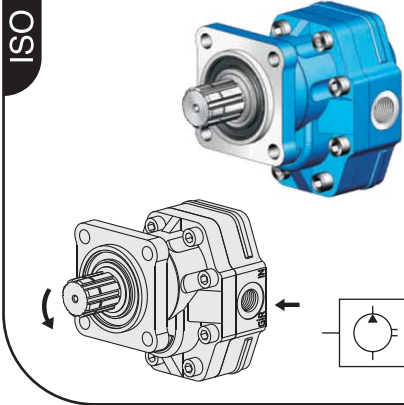


DRAWING NO: BG/OIL

CODE	LITRE	B	E	G1	G2
YAG TANK1120	120	385Ø	1100	3/4	1 1/4
YAG TANK1150	150	385Ø	1400	3/4	1 1/4
YAG TANK1180	180	450Ø	1400	3/4	1 1/4

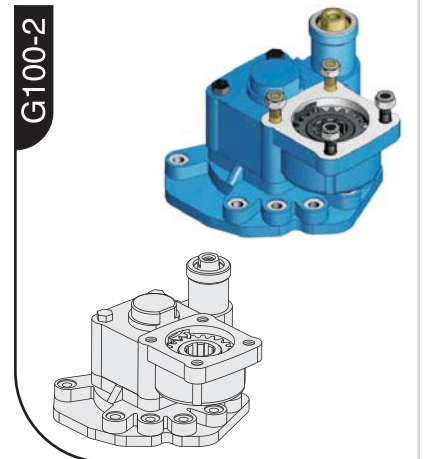
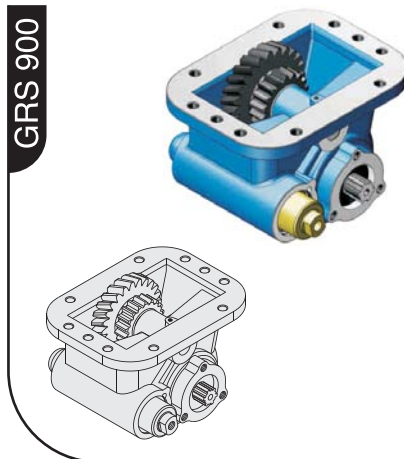
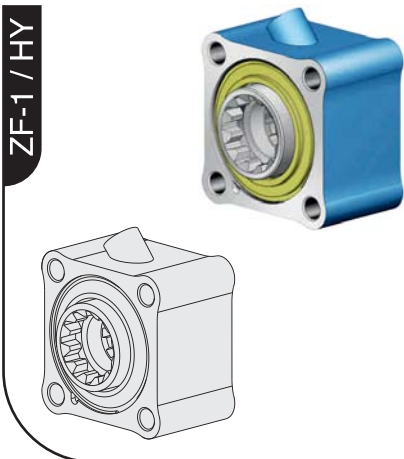
## HPT GEAR PUMP SERIES

HPT Manufacture ISO, T2, UNI and SAE flange gear pump from 17 cc to 151 cc.

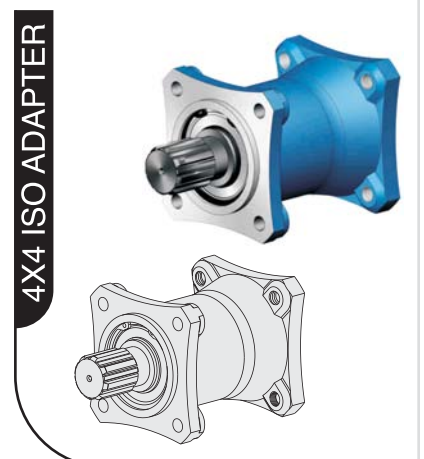
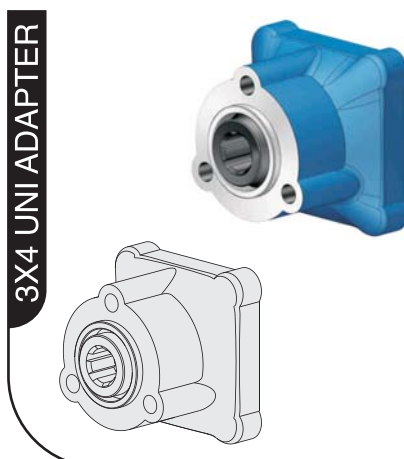
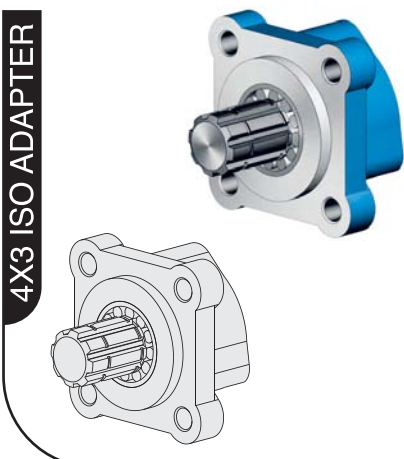


## HPT PTO SERIES

HPT Manufacture more then 50 different type of PTO for Tipper Market



## HPT ADAPTER SERIES





#### **BURSA FACTORY:**

Organize Sanayi Bölgesi Pembe Cadde No: 7/1  
Nilüfer / Bursa / TURKEY  
Tel : +90 224 242 57 47 / Fax: +90 224 242 57 87  
sales@hpthydraulic.com.tr

#### **KONYA FACTORY:**

Fevzi Çakmak Mahallesi Hüdayi Caddesi No:35  
P.K. 42040 Karatay / Konya / TURKEY  
Tel: +90 332 400 0 005 / Fax: +90 332 400 0 006  
export@hpthydraulic.com.tr

**Authorised Sales and Service Partner in The UK Market**

# TRIDENT HYDRAULICS

#### **Registered Address:**

Unit 12, Holywell Business Park  
Northfield Road, Southam  
Warwickshire CV47 0FP

T: 01926 811 395

F: 01926 812 291

E: info@tridenthydraulics.co.uk

W: www.tridenthydraulics.co.uk

