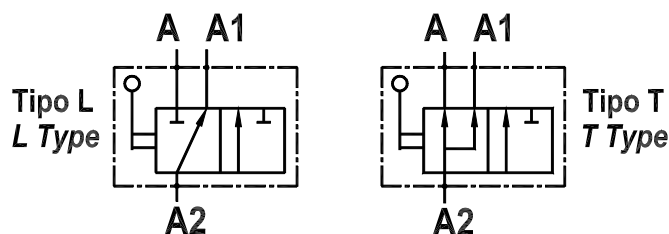


Valvola a sfera a 3 vie
Three way ball valve

Rev.03-2016/03



SPECIFICHE TECNICHE

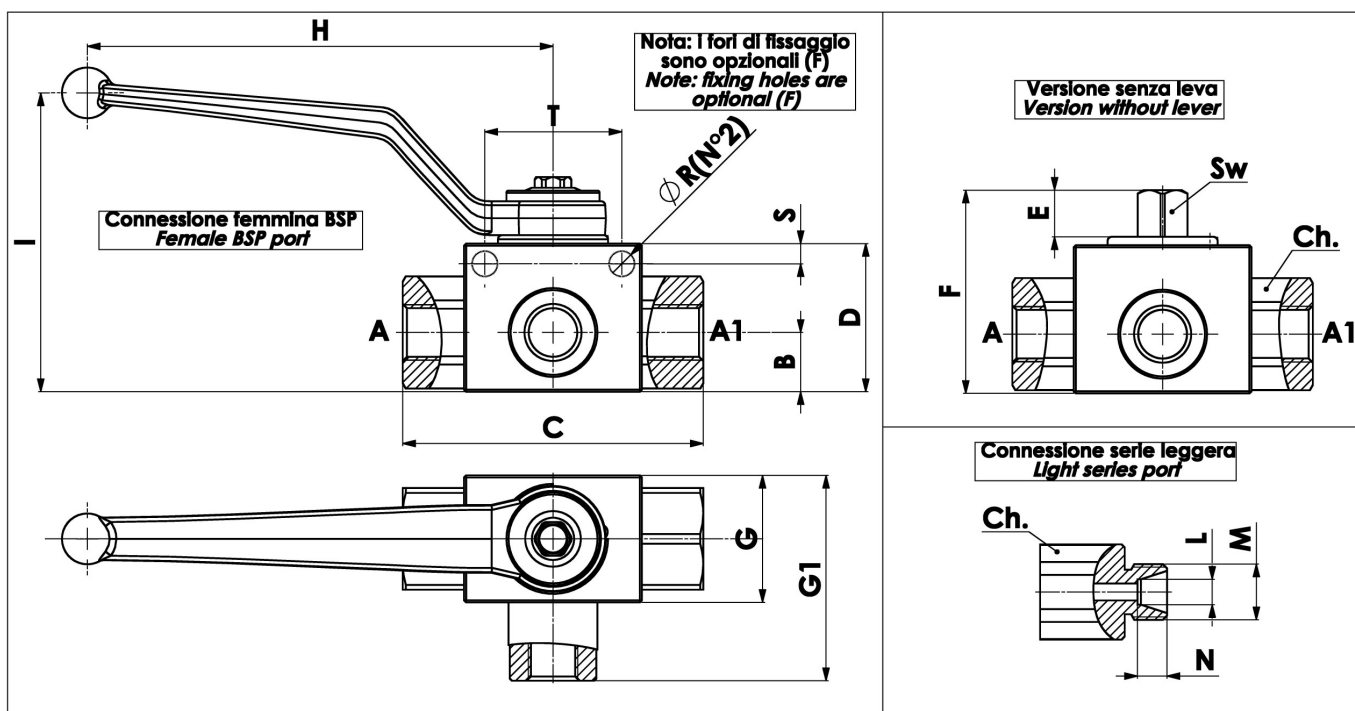
Materiali: corpo in acciaio, particolari interni in acciaio trattato termicamente.

Pressione max.: vedi tabella

TECHNICAL SPECIFICATIONS

Materials: body is in steel. Internal parts are in hardened steel.

Max. pressure: see data sheet



Valvola a sfera a 3 vie
Three way ball valve

Rev.02-2016/03

Connessione femmina BSP DIN/ISO 228 – DIN/ISO 228 BSP female connection

TIPO TYPE	PRESS. MAX. MAX. PRES.	DN	A/A1	B	C	D	E	F	G	G1	H	I	SW	CH	R	S	T	PESO WEIGHT
	bar	mm	BSP	mm	mm	mm	mm	mm	mm	mm	mm	mm	mm	mm	mm	mm	mm	Kg
FPGE3-G1/8"	400	4	G1/8"	14.5	71	35	11	49	30	48.5	110	91.5	9	24	5.25	4.5	34	0.560
FPGE3-G1/4"	400	6	G1/4"	14.5	71	35	11	49	30	48.5	110	91.5	9	24	5.25	4.5	34	0.540
FPGE3-G3/8"	400	10	G3/8"	17.4	73	40	11	54.25	35	54.5	110	96.5	9	30	5.25	4.5	34	0.700
FPGE3-G1/2"	350	13	G1/2"	18	83	43	11	57	37	58.5	110	99.5	9	32	5.25	5	36	0.825
FPGE3-G3/4"	350	20	G3/4"	23.4	95	55	14	43.5	45	75	180	106.5	14	41	6.25	6	50	1.600
FPGE3-G1"	350	25	G1"	29.5	112	65	14	83.5	55	87.5	180	116.5	14	50	6.25	6	50	2.425
FPGE3-G1"1/4	350	25	G1"1/4	29.5	120	65	14	83.5	55	87.5	180	116.5	14	55	6.25	6	50	2.600
FPGE3-G1"1/2	350	25	G1"1/2	29.5	124	65	14	83.5	55	87.5	180	116.5	14	60	6.25	6	50	2.750

Connessione serie leggera DIN 2353 – DIN 2353 light series connection

TIPO TYPE	PRESS. MAX. MAX. PRES.	DN	B	C	D	E	F	G	G1	H	I	L	M	N	SW	CH	R	S	T	PESO WEIGHT
	bar	mm	mm	mm	mm	mm	mm	mm	mm	mm	mm	mm	mm	mm	mm	mm	mm	mm	mm	Kg
FP-GE3-6L	400	6	14.5	76	35	11	49	30	48.5	110	91.5	6	12x1.5	7	9	24	5.25	4.5	34	0.530
FP-GE3-8L	400	6	14.5	76	35	11	49	30	48.5	110	91.5	8	14x1.5	7	9	24	5.25	4.5	34	0.530
FP-GE3-10L	400	6	14.5	76	35	11	49	30	48.5	110	91.5	10	16x1.5	7	9	24	5.25	4.5	34	0.540
FP-GE3-12L	400	10	17.4	79.5	40	11	54.25	35	54.5	110	96.5	12	18x1.5	7	9	30	5.25	4.5	34	0.670
FP-GE3-15L	350	13	18	87	43	11	57	37	59	110	99.5	15	22x1.5	7	9	32	5.25	5	50	0.725
FP-GE3-18L	350	13	18	87	43	11	57	37	59	110	99.5	18	26x1.5	7.5	9	32	5.25	5	50	0.860
FP-GE3-22L	350	20	23.4	110	55	14	73.5	45	75	180	106.5	22	30x2	7.5	14	41	6.25	6	50	1.640
FP-GE3-28L	350	25	29.5	117	65	14	83.5	55	87.5	180	116.5	28	36x2	7.5	14	50	6.25	6	50	2.360
FP-GE3-35L	350	25	29.5	119	65	14	83.5	55	87.5	180	116.5	35	45x2	10.5	14	50	6.25	6	50	2.360

ESEMPIO DI ORDINAZIONE - ORDERING CODE EXAMPLE

F P G E 3 T G 3 / 8 F *

* Modello L/T – model L/T
 Omettere se L – omit if L

* Connessioni – port sizes
 Vedi tabelle – see data sheet

Guarnizioni – Seals:
 Omettere se BUNA-N – omit if BUNA-N *
 Per guarnizioni speciali, consultare il servizio clienti
 For special seals, please contact Customer service

Fori di fissaggio – Fixing holes:
 Omettere se non richiesti – omit if not requested *